



Clay-Greene

Package Pump Stations

A Division of **MORROW WATER TECHNOLOGIES, INC.**

Municipal Engineered Solutions



***Sustainable
Focused
Water***

Since 1973, providing engineered pumping systems for delivering clean, safe water.

www.claygreene.com



VI Series- Vertical Inline Package

The Clay-Greene Vertical Inline Package has been the industry standard for over 30-years offering simplex, duplex, and triplex configurations for ease of design and installation. Multi-purpose variable frequency drives for versatile control in both constant pressure boosting and constant flow tank fill applications. Highly efficient systems for sustainable and economical solutions.

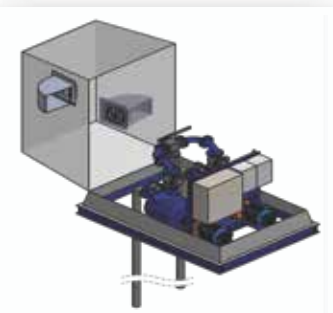


EES & EVI Series- Compact Package Stations

The original compact solution for turnkey applications with single source responsibility assures equipment functionality, consistency, and compatibility. Available in Quickship and Engineered to Order configurations. Offering station flows up to 1500GPM and pressures to 1000'TD_H, the EES & EVI Packages come standard with variable frequency drive control (VFD) with options of pressure tanks, flow meters, and SCADA. Packages are UL listed, NSF61, and NEC70 compliant and designed in Solidworks. Clay-Greene Package Stations provide focused engineering for demanding applications.

VT Series- Vertical Turbine Package

Vertical Turbines provide versatile solutions for municipalities' complex water needs. Offering engineered systems for high volume and high pressure applications, VT Series packages are available in constant pressure or constant flow applications for potable and water reuse systems. The VT Series solutions are ideal for critical processes.



CP Series- Custom Package Systems

Our 40-years of experience enables us to offer outside-the-box answers for challenging mission critical systems. Clay-Greene delivers engineered pump systems and project know-how for your water & wastewater applications.